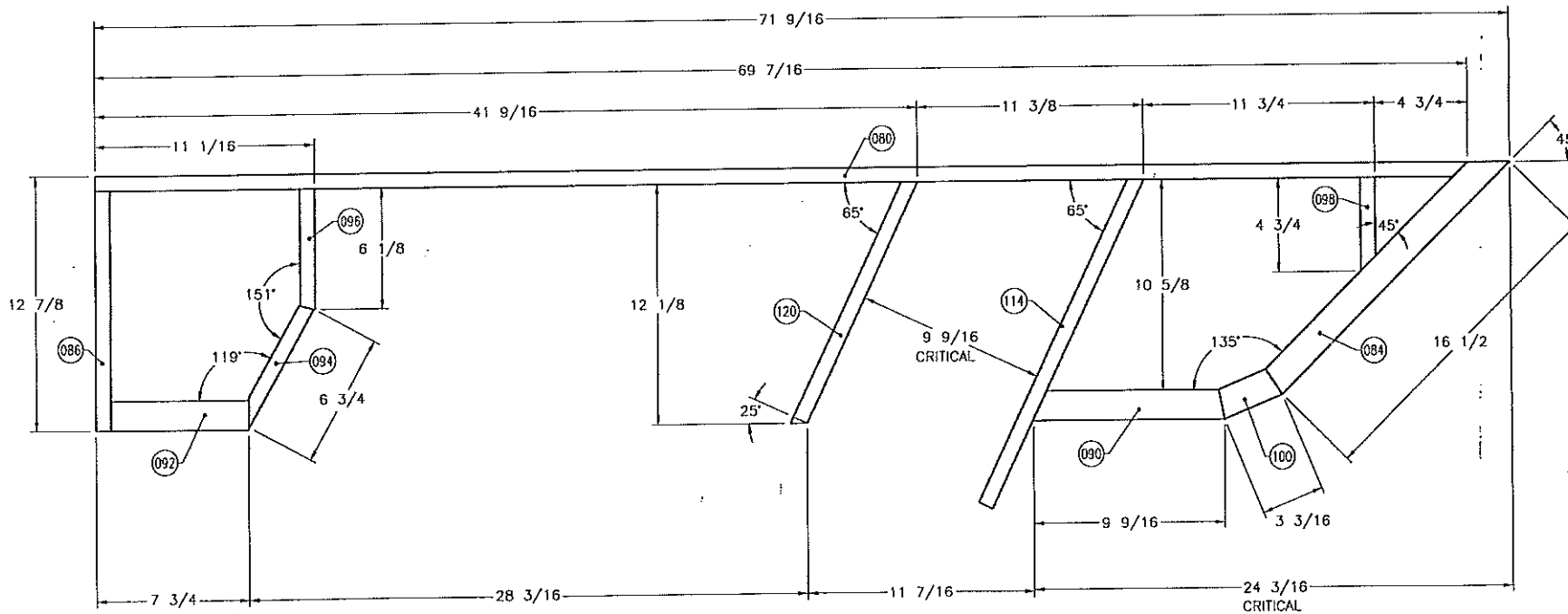


D.C. RELEASE	DESCRIPTION	DATE	BY	SCALE: 2 1/2" = 1'-0"	USED OR:	<b>FLEETWOOD</b> PAGE NO. 770-02-01300
				DRAWN: P.O'BANNON DATE: 10-13-95		
				PROJECT: 02770300		TITLE: DASH ASSEMBLY - FRONT ENTRY
02-00		05-25-01	AB	PLOT: 05/25/01 08:03:20 01baulio	AUX. INFO.	

**ASSEMBLY SEQUENCE:**

1. ASSEMBLE AND WELD DASH FRAME.



**NOTES:**

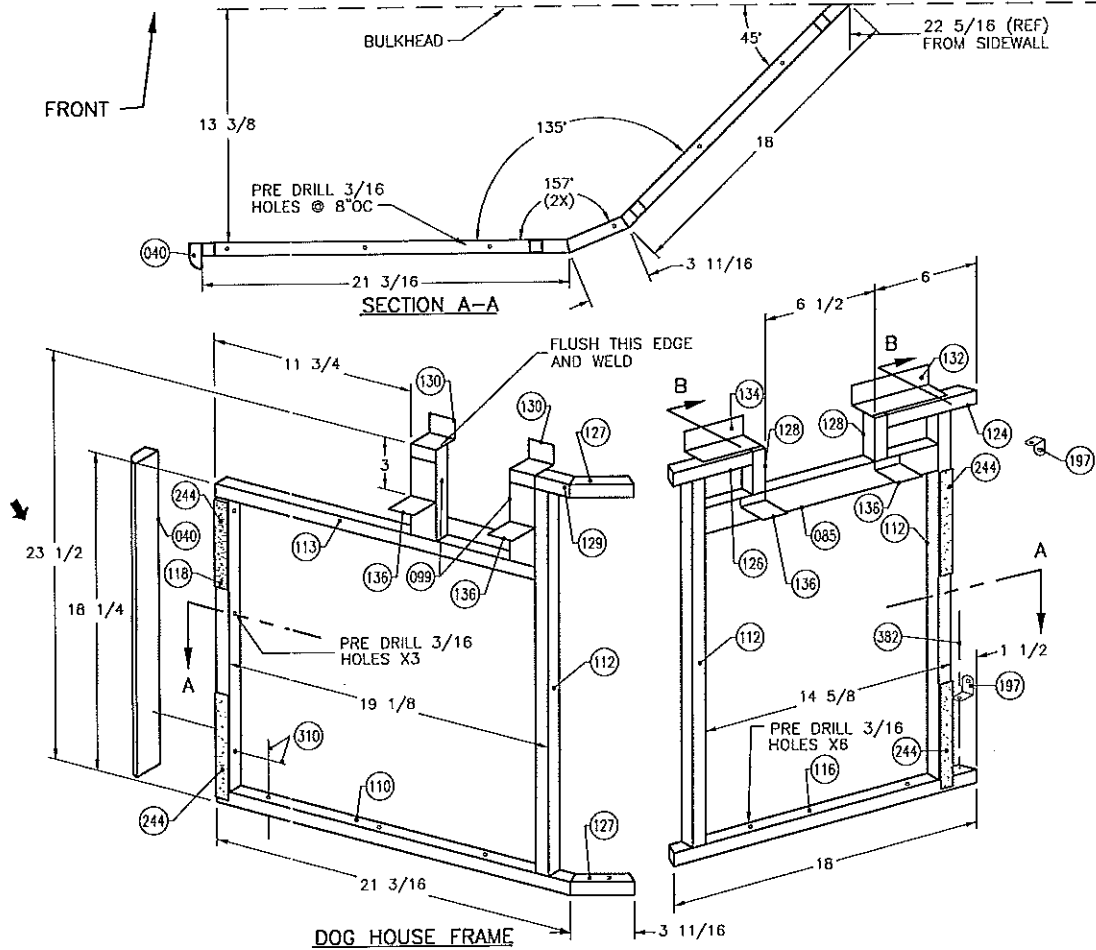
1. TO ASSIST IN PROPER COMPONENT LOCATION, A JIG REPRESENTATIVE OF THE FRONT BULKHEAD IS RECOMMENDED.

**DASH SUPPORT FRAME**

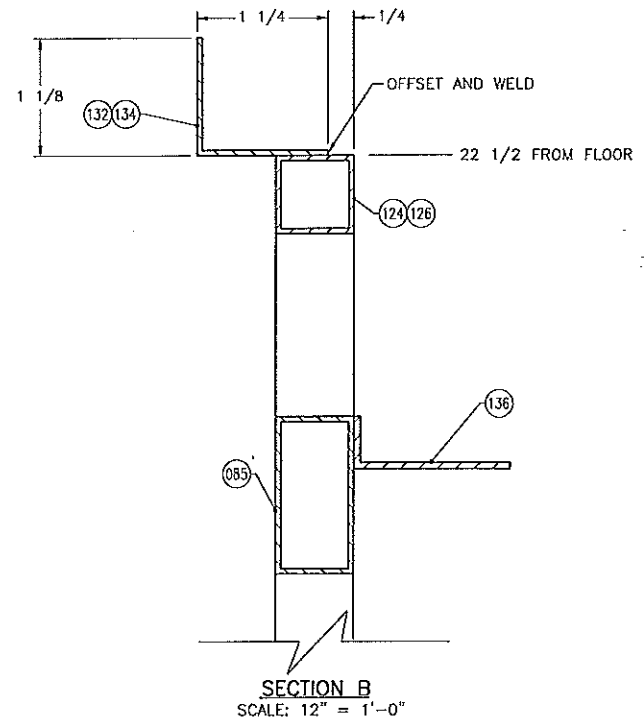
D.C. RELEASE	DESCRIPTION	DATE	BY	SCALE: 2" = 1'-0"	USED OR:
				DRAWN: P.O'BANNON DATE: 10-16-95	
02-02		06/19/01	CS	PROJECT: 02770303	
02-03		09-10-01	AB	PLOT: 09/10/01 14:52:09 01baulta	ADK NPG

<b>FLEETWOOD</b>	PAGE NO. 770-02-01300
RECREATIONAL VEHICLE GROUP	SHEET 2 OF 11
TITLE: DASH ASSEMBLY - FRONT ENTRY	

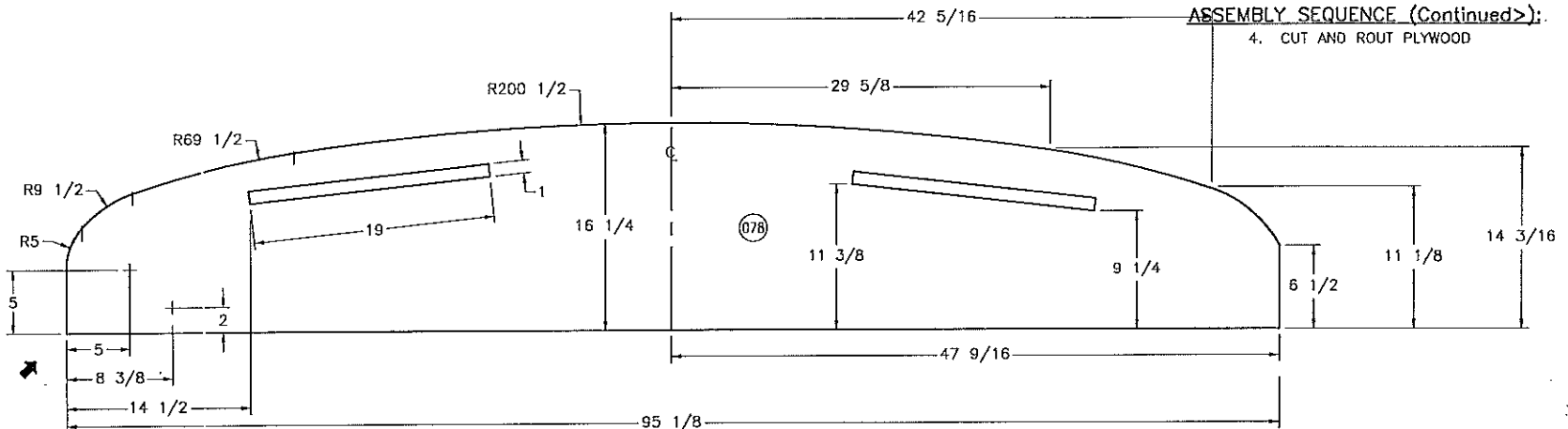


- ASSEMBLY SEQUENCE (Continued):**
2. ASSEMBLE AND WELD DOG HOUSE FRAME.
  3. ATTACH MOUNTING BRACKETS #108 AND MLDG.

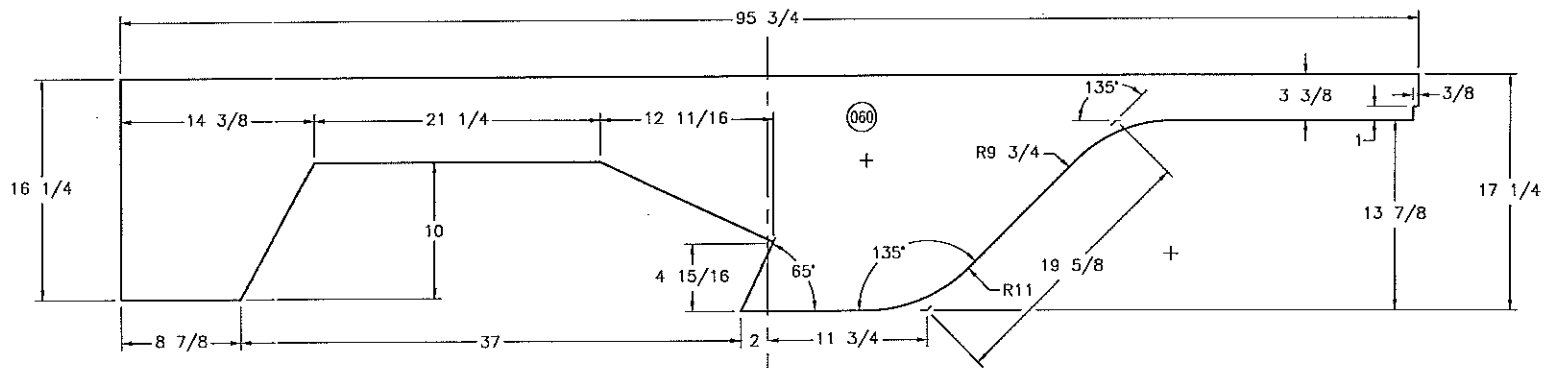


D.C. RELEASE	DESCRIPTION	DATE	BY	SCALE: 1 1/2" = 1'-0"	USED OR:	FLEETWOOD RECREATIONAL VEHICLE GROUP	PAGE NO: 770-02-01300 SHEET 3 OF 11
02-00		05-25-01	AB	PROJECT: 02770303			
02-03		09-10-01	AB	PLOT: 09/10/01 13:54:24 01bautia			

ASSEMBLY SEQUENCE (Continued):  
4. CUT AND ROUT PLYWOOD



PART B

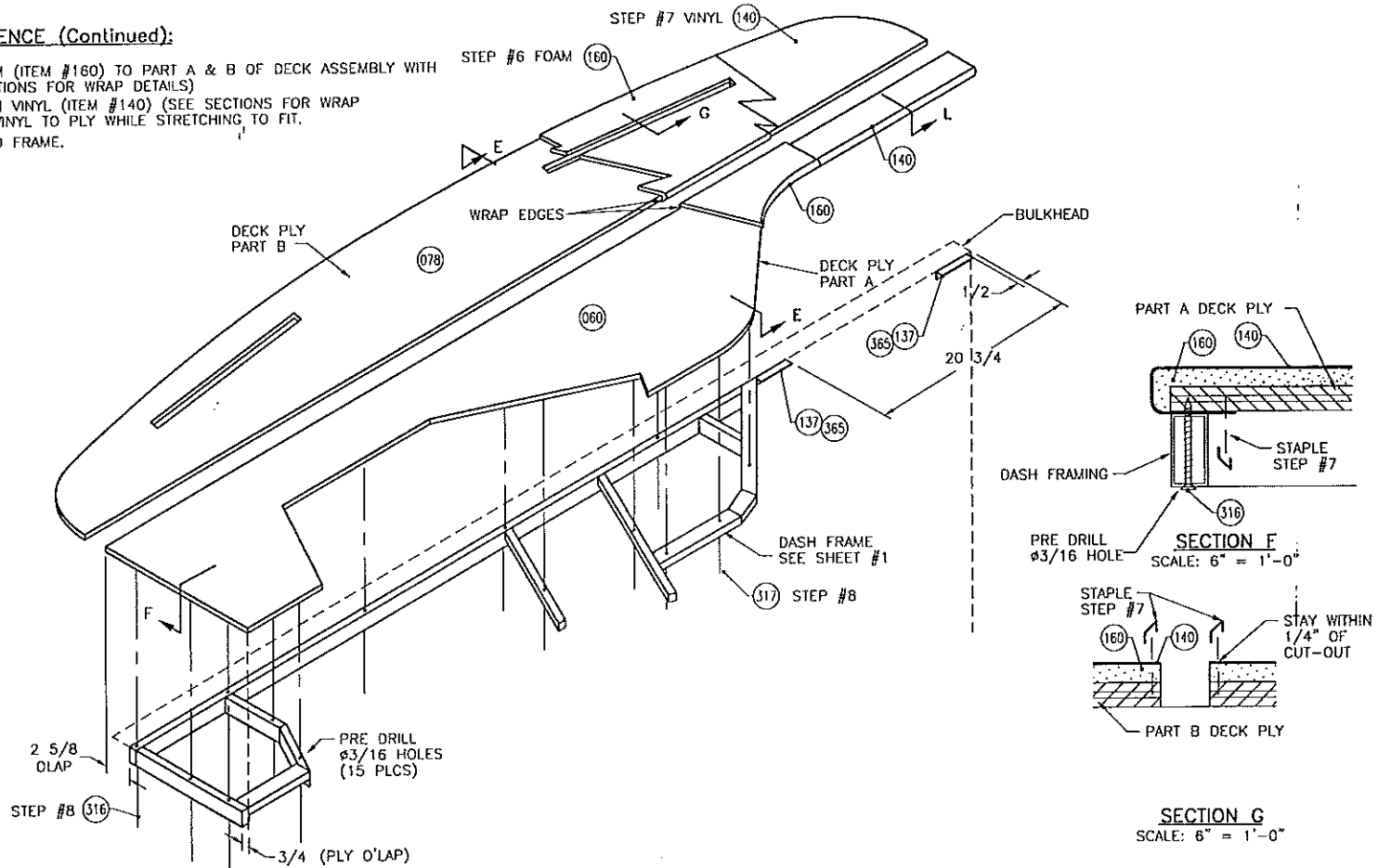


PART A

D.C. RELEASE	DESCRIPTION	DATE	BY	SCALE: 1 1/4" = 1'-0"	USED OR:	<b>FLEETWOOD</b> PAGE 770-02-01300
				DRAWN: P.O'BANNON	DATE: 10-17-95	TITLE: DASH ASSEMBLY - FRONT ENTRY
				PROJECT: 02770300		
02-00		05-25-01	AB	PLOT: 05/25/01 08:04:16 01baulta	AUX INFO:	

**ASSEMBLY SEQUENCE (Continued):**

6. SECURE 3/8" FOAM (ITEM #160) TO PART A & B OF DECK ASSEMBLY WITH STAPLES (SEE SECTIONS FOR WRAP DETAILS)
7. COVER FOAM WITH VINYL (ITEM #140) (SEE SECTIONS FOR WRAP DETAILS). STAPLE VINYL TO PLY WHILE STRETCHING TO FIT.
8. SECURE PART A TO FRAME.

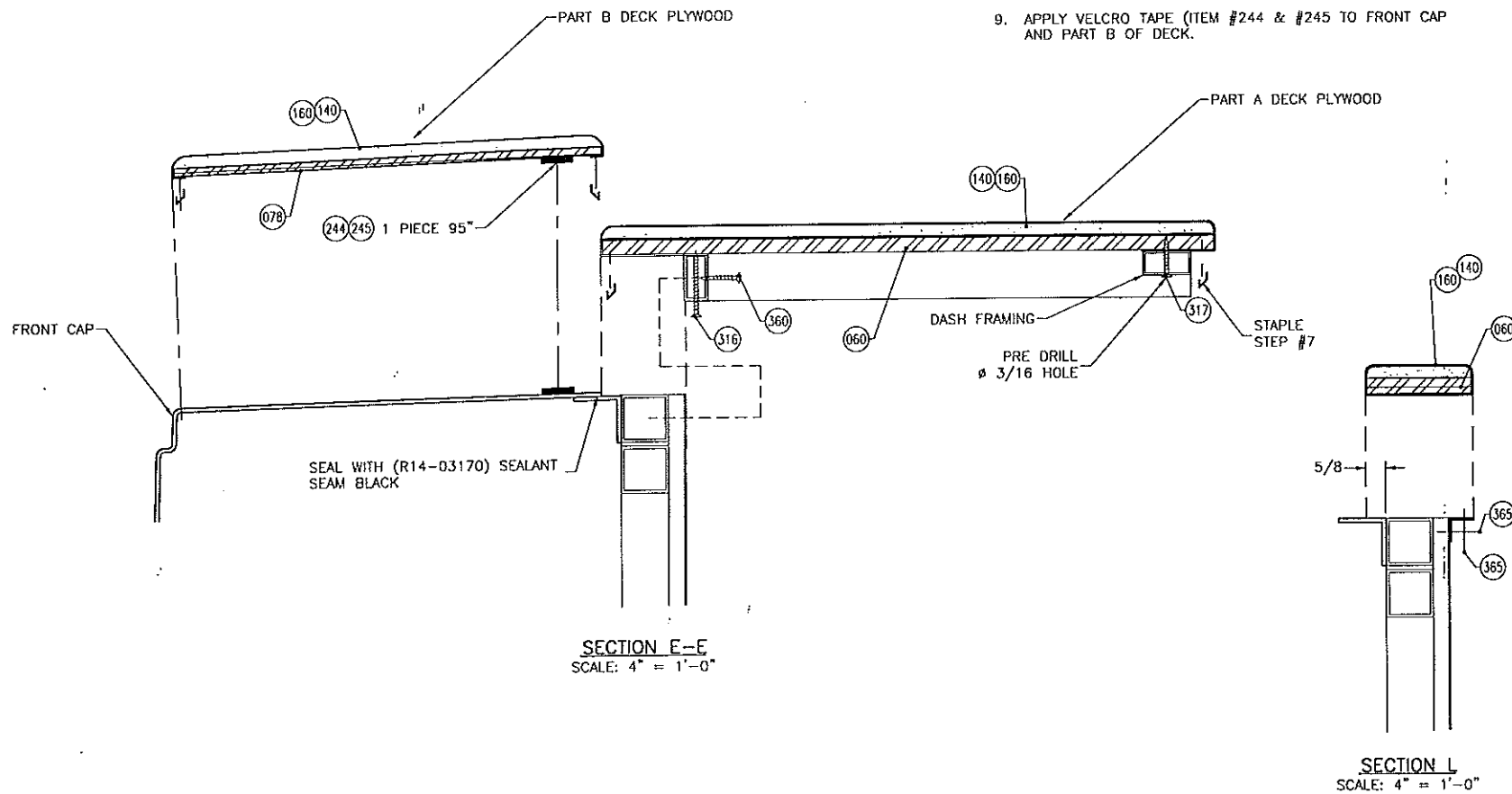


**SECTION G**  
SCALE: 6" = 1'-0"

02-00	D.C. RELEASE	DESCRIPTION	DATE	BY	SCALE: 1" = 1'-0"	USED OR:	<b>FLEETWOOD</b> PAGE No: 770-02-01300 RECREATIONAL VEHICLE GROUP SHEET 5 OF 11 TITLE: DASH ASSEMBLY - FRONT ENTRY
					DRAWN: P.O'BANNON DATE: 03-12-97		
					PROJECT: 02770300		
					PLOT: 05/25/01 08:09:52 01boutia	AUX. INFO.	

**ASSEMBLY SEQUENCE (Continued):**

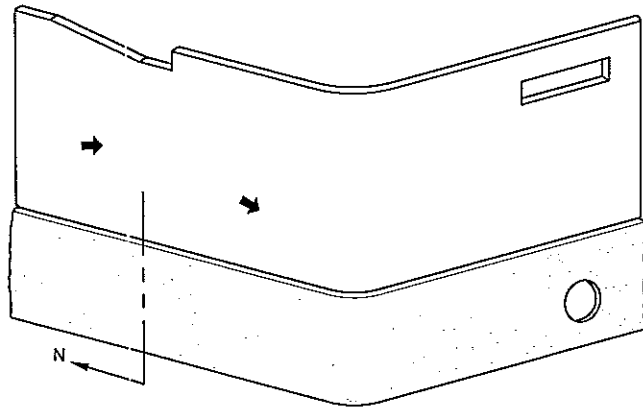
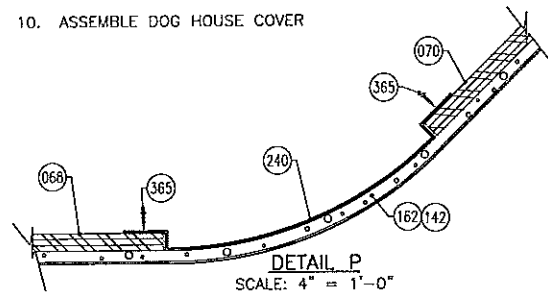
9. APPLY VELCRO TAPE (ITEM #244 & #245 TO FRONT CAP AND PART B OF DECK.



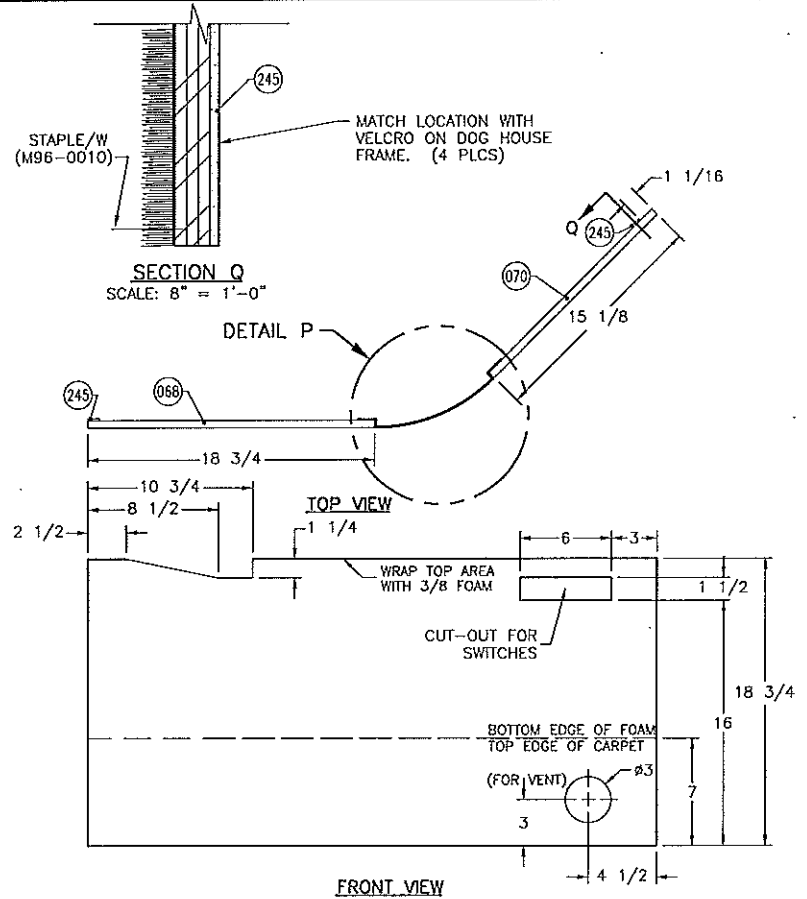
D.C. RELEASE	DESCRIPTION	DATE	BY	SCALE: 1 3/4" = 1'-0"	USED OR:	FLEETWOOD PAGE NO. 770-02-01300	
				DRAWN: Pat O.	DATE: 04-05-99	RECREATIONAL VEHICLE GROUP	SHEET 6 OF 11
02-02		06/19/01	CS	PROJECT: 02770303		TITLE: DASH ASSEMBLY -- FRONT ENTRY	
02-03		09-10-01	AB	PLOT: 09/10/01 14:28:51 01bautia	ALX RPO.		

**ASSEMBLY SEQUENCE (Continued):**

10. ASSEMBLE DOG HOUSE COVER

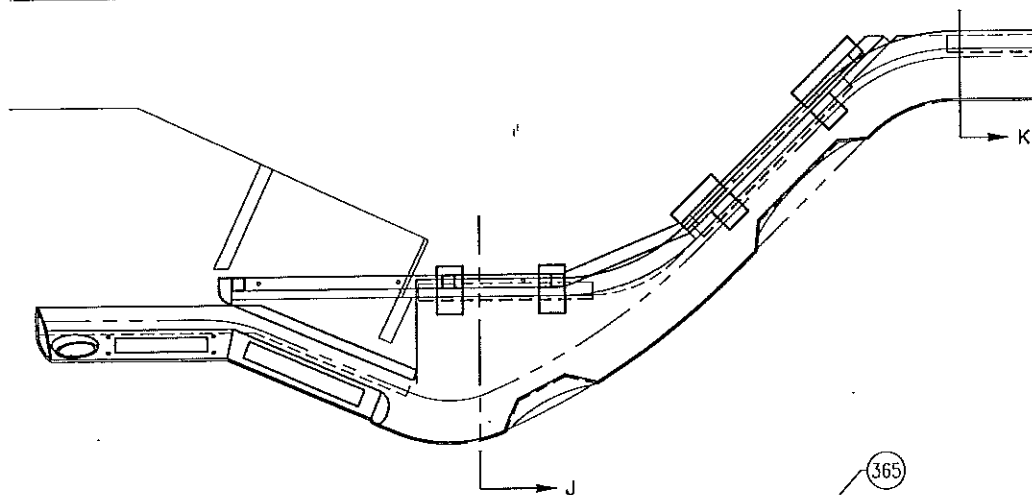


DOG HOUSE COVER

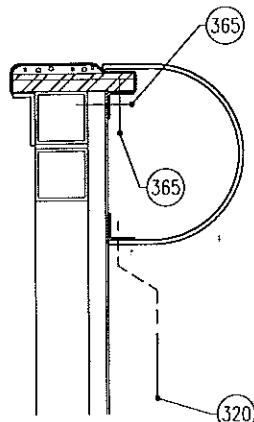




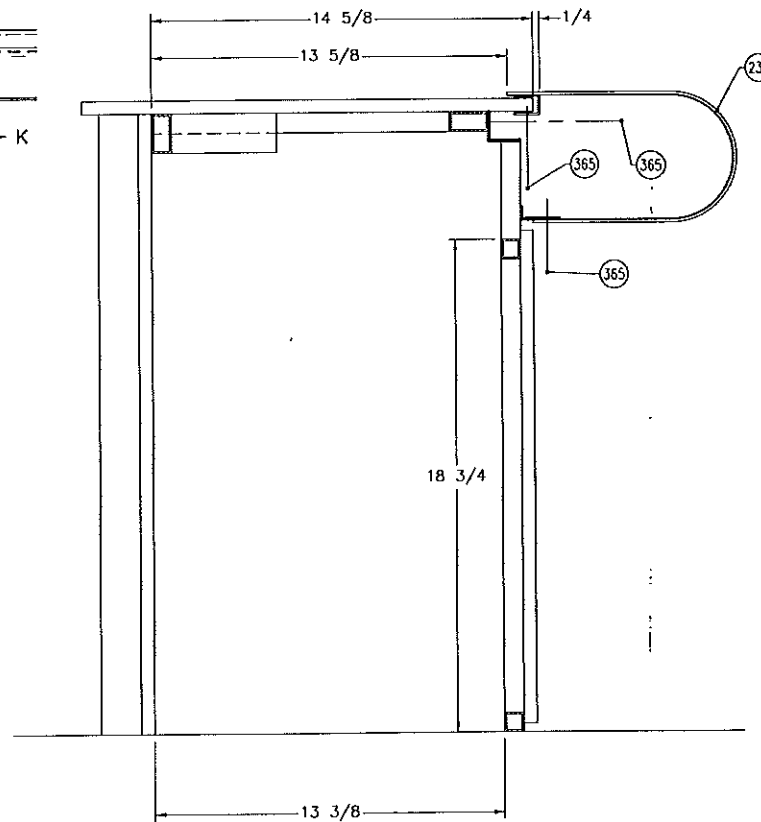
D.C. RELEASE	DESCRIPTION	DATE	BY	SCALE: 1 3/4" = 1'-0"	USED OR:	<b>FLEETWOOD</b> PAGE NO. 770-02-01300	RECREATIONAL VEHICLE GROUP SHEET 8 OF 11
				DRAWN: P.O'BANNON DATE: 03-12-97			
				PROJECT: 02770300		TITLE: DASH ASSEMBLY - FRONT ENTRY	
02-00		05-25-01	AB	PLOT: 05/25/01 08:12:58 01bcutio	AUX. INFO.		



**DASH TRIM**  
SCALE: 1 3/4" = 1'-0"



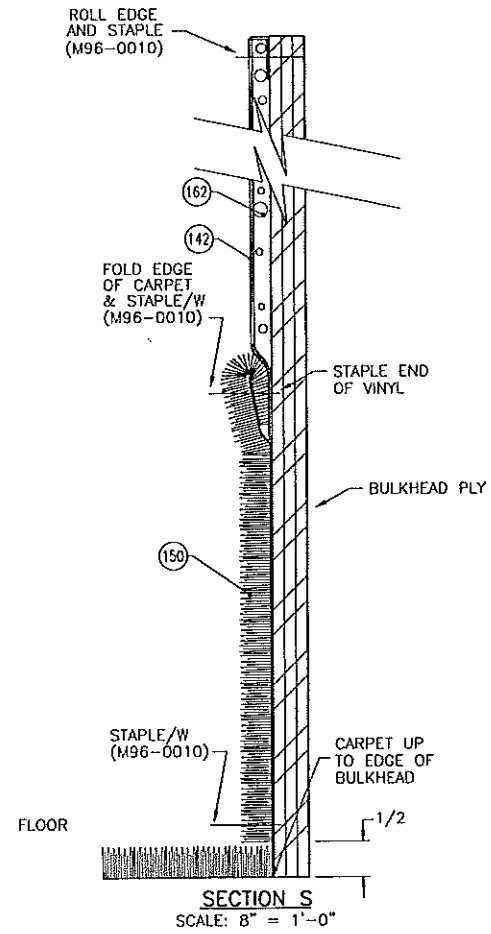
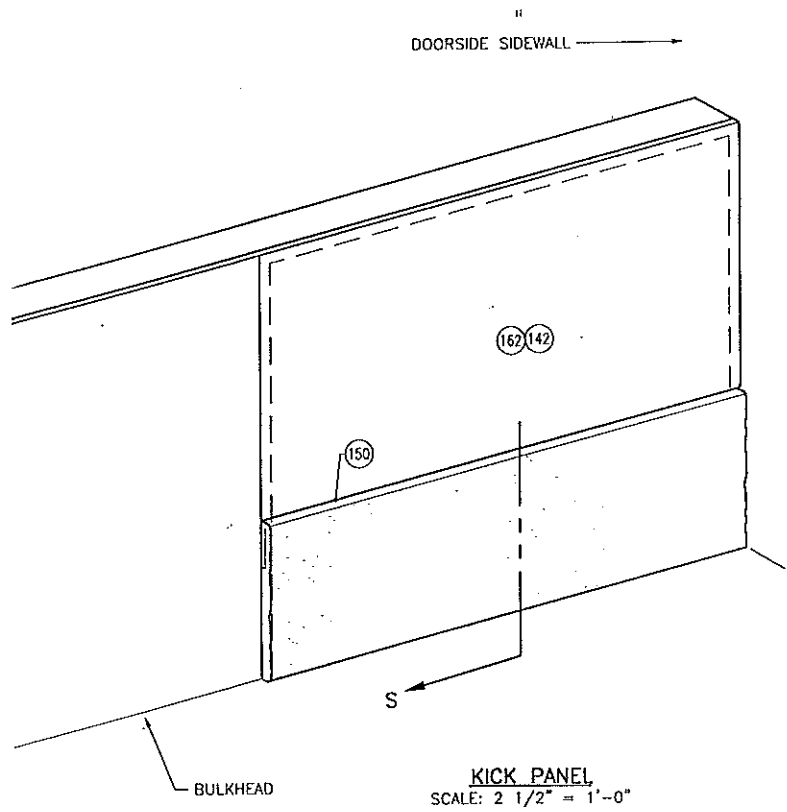
**SECTION K**  
SCALE: 4" = 1'-0"



**SECTION J**  
SCALE: 2" = 1'-0"



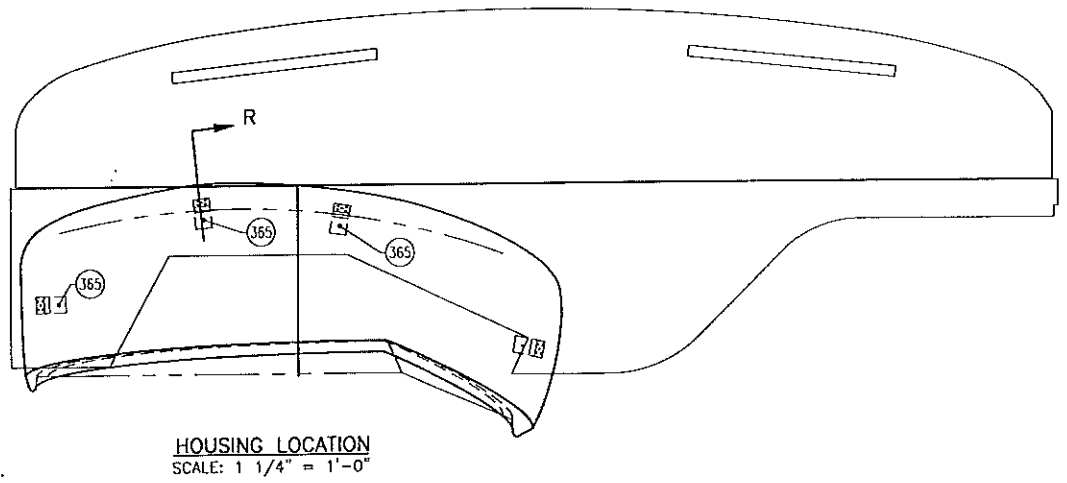
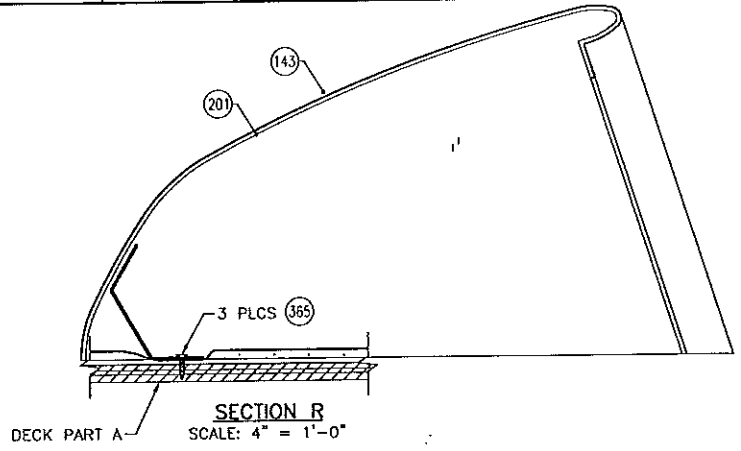
D.C. RELEASE	DESCRIPTION	DATE	BY	SCALE:	USED OR:	<b>FLEETWOOD</b>	PAGE NO. 770-02-01300
				DRAWN: P.O'BANNON	DATE: 03-17-97		RECREATIONAL VEHICLE GROUP
02-00		05-25-01	AB	PROJECT: 02770300	AUX. INFO.	TITLE: DASH ASSEMBLY - FRONT ENTRY	
				PL0F: 05/25/01 08:13:11 01boutio			



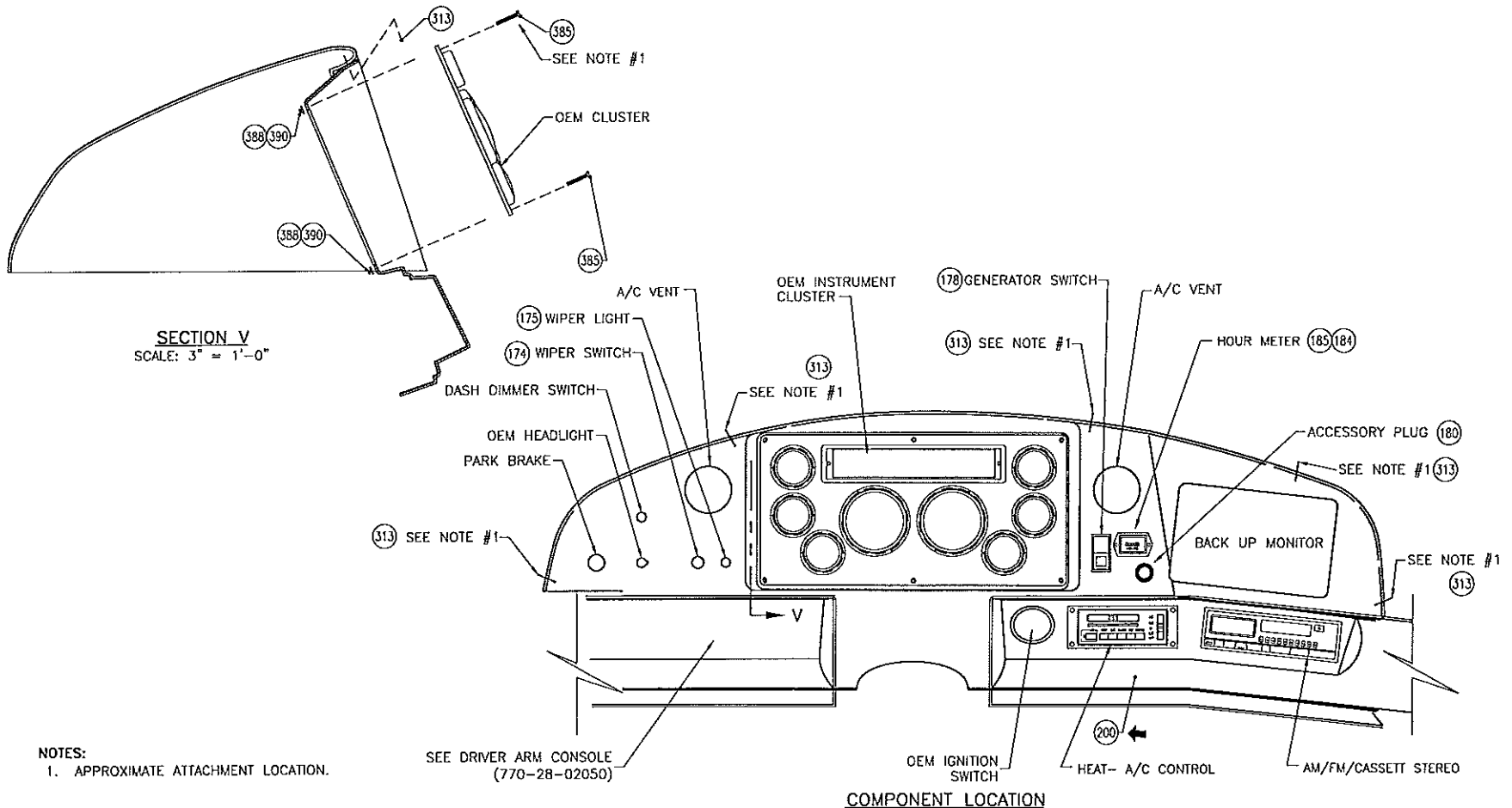
D.C. RELEASE	DESCRIPTION	DATE	BY	SCALE: 1 1/4" = 1'-0"	USED OR:	<b>FLEETWOOD</b> PAGE NO. 770-02-01300
				DRAWN: Pat O. DATE: 04-05-99		
				PROJECT: 02770300		TITLE: DASH ASSEMBLY - FRONT ENTRY
02-00		05-25-01	AB	PLOT: 05/25/01 08:13:24 01baultio	ALX RNO.	

**ASSEMBLY SEQUENCE (Continued):**

- 13. 14. LOCATE HOUSING BY USING DRIVER ARM CONSOLE (770-28-02050) AND DASH TRIM ITEM #230, MOUNT TO DECK WITH (3) SCREWS ITEM #365 USING ANGLE HEAD SCREWDRIVER.



D.C. RELEASE	DESCRIPTION	DATE	BY	SCALE: 2 1/2" = 1'-0"	USED OR:	<b>FLEETWOOD</b> PAGE No. 770-02-01300
02-00		05-25-01	AB	DRAWN: P.O'BANNON DATE: 03-17-97		RECREATIONAL VEHICLE GROUP SHEET 11 OF 11
02-MAINT		06-20-01	RD	PROJECT: 02770304		TITLE: DASH ASSEMBLY - FRONT ENTRY
02-04		11-07-01	RT	PLOT: 11/07/01 07:52:10 01terror	AUX. INFO.	



NOTES:  
1. APPROXIMATE ATTACHMENT LOCATION.

DIVISION 70 MOTOR HOMES  
 PRODUCT 770 DISCOVERY

B I L L O F M A T E R I A L P A G E  
 MODEL YEAR DIV71-02  
 AS OF 09/06/2001

PAGE 10  
 REPORT FL0061-30  
 DATE 09/06/2001 07:28 PM

BILL B 770-02-01300 DASH ASSEMBLY - FRONT ENTRY

DRAWING REFERENCE

BILL B 770-02-01300

LAST DC 2-03 DATE 09/06/2001 LAST REVISION

ITEM	CHG	COMPONENT PART	DESCRIPTION/NOTE(S)/CUT LIST	U/M	QUANTITY	WB
040		R P06-6151	MLDG- PF 18MM X 1 1/2 X 3/4 RAD LC 001 VENDOR DWG ON FILE	LF	1.52	
040			X 18 1/4	1		
060	*	R G43-0422	PLY- DF 1/2 X 48 X 96 CDX PTB	BF	15.93	
060			95 3/4 X 17 1/4	1		
068			18 3/4 X 18 3/4	1		SEE DETAIL
070			15 1/2 X 18 3/4	1		SEE DETAIL
078		R G43-0224	PLY- DF 1/4 X 48 X 96 CCX PTB (28)	BF	10.49	
078			95 1/8 X 15 7/8	1		
080	*	R A08-0755	TUBE- STL 3/4 X 1 1/2 16 GA	LF	13.15	
080			X 69 7/16	1		BEV (1) END 45
084			X 16 1/2	1		ANG(1)END 45(1)END 11
085			X 13 7/8	1		
086			X 12 1/8	1		
090			X 9 9/16	1		ANG(1)END 11(1)END 25
092			X 7	1		
094			X 6 3/4	1		BEV(1)END 61(1)END 14
096			X 6 1/8	1		BEV(1)END 15
098			X 4 3/4	1		BEV (1) END 45
099			X 4 1/4	2		
100			X 3 3/16	1		ANG BOTH ENDS 12
110		R A08-0750	TUBE- STL 3/4 X 3/4 16GA	LF	16.21	
110			X 21 3/16	1		BEV (1) END 11
112			X 21	3		
113			X 19 1/8	1		
114			X 18 3/16	1		BEV (1) END 25
116			X 18	1		BEV (1) END 45 (1) END 11
118			X 16 3/4	1		
120			X 13 3/4	1		BEV OPP ENDS 25
124			X 5 1/4	1		BEV (1) END 45
126			X 4 13/16	1		BEV (1) END 11
127			X 3 11/16	2		BEV BOTH ENDS 11
128			X 2 1/2	2		
129			X 2 1/16	1		BEV (1) END 11
130		R B01-0032	ANG- STL FRMD 1 1/8 X 1 1/4 16GA	LF	0.92	
130			X 1 1/2	2		
132			X 4 1/2	1		
134			X 3 1/2	1		
136		R B01-5510	ANG- STL FRMD 1 1/2 X 1/2 X 1 1/2	EA	4.00	
137		R B10-0525	BRKT- CABINET ATTACHMENT MH95	EA	2.00	
139		R A02-0011	ANG- AL 1 1/2 X 1 1/2 X 1/8 001 CUT TO 3 IN LENGTHS.	LF	2.00	
140		R U40-1061	VINYL- COORD X.34 VARIOUS (BTRETCH)	LY	1.51	

DIVISION 70 MOTOR HOMES  
 PRODUCT 770 DISCOVERY

B I L L O F M A T E R I A L P A G E  
 MODEL YEAR DIV71-02  
 AB OF 09/06/2001

PAGE 11  
 REPRRT FL0061-30  
 DATE 09/06/2001 07:28 PM

BILL B 770-02-01300 DASH ASSEMBLY - FRONT ENTRY DRAWING REFERENCE BILL B 770-02-01300

LAST DC 2-03 DATE 09/06/2001 LAST REVISION

ITEM	CHG	COMPONENT PART	DESCRIPTION/NOTE(S)/CUT LIST	U/M	QUANTITY	WB
140		R U40-1061	VINYL- COORD X 54 VARIOUS (STRETCH)	LY	1.51	
140			99 X 30	1 DASH		
142		R U40-1060	VINYL- FEATURE X54 VARIOUS (STRETCH)	LY	1.47	
142			70 X 18	1 DOG HOUSE COVER		
143			60 X 27	1 INSTR. PANEL HOUSING		
150		R U51-2055	CARPET- WELLINGTON /CARRIAGE	BY	0.41	
150			67 X 8	1 DOG HOUSE COVER		
160		R U53-3003	PAD- 3/8 FOAM	BY	2.90	
160			97 X 30	1 DASH		
162			67 X 12 3/4	1 DOG HOUSE COVER		
170		R X99-9999	PAGE BREAK	QD	1.00	
			001 INSTRUMENT PANEL PARTS			
174		R F22-2048	SWITCH- 12V WDSHLD WIPER RH PA/SW	EA	1.00	
175		R F33-8950	LT- INT 12V WIPER INDICATOR	EA	1.00	
178		R F22-8340	SWITCH- 12V RADIO /EATDN	EA	1.00	
180		R F96-0001	LIGHTER- CIGAR 12V	EA	1.00	
184		R F76-0114	METER- HOUR /HOBBS 15000	EA	1.00	
185		R X99-9997	DELETED LINE ITEM	EA	1.00	
186		R M42-0004	SCREW- MACH #6-32 X 1/2 PPH BLK	EA	2.00	
			001 USE 2 HOUR METER			
187		R M36-1006	WASHER- 178 EXTERNAL STAR PLTD	EA	2.00	
			001 USE 2 HOUR METER			
188		R M21-0006	NUT- #6-32 HH PLTD	EA	2.00	
			001 USE 2 HOUR METER			
192		R N22-1161	BRACKET- BACK-UP MONITOR/RADIO SUPT	EA	1.00	
197		R N22-2001	BRACKET- CORNER 5/8 X 1 X 1	EA	2.00	
200		R E60-0388	DASH- TRIM ANG DB END W/3 VENTS	EA	1.00	
			001 TLG DWG ON FILE			
201		R E62-0012	HOUSING- INSTRUMENT PANEL	EA	1.00	
			001 TLG DWG ON FILE			
230		R E60-0516	DASH- INSTRUMENT FASCIA	EA	1.00	
			001 VENDOR DWG ON FILE			
240		R B12-2925	COVER- ELECTRICAL/AC DUCTING (DASH)	EA	1.00	
244		R N70-0201	TAPE- VELCRO 3/4 HOOK	LF	8.00	
245		R N70-0211	TAPE- VELCRO- 3/4 - LOOP	LF	8.00	
310		R N70-0808	SCREW- TEK #8 X 1 1/4 PHT	EA	11.00	
			001 USE (11) 2 DOG HOUSE			
313		R M71-0810	SCREW- TEK #8 X 3/4 PPH BLK OXIDE	EA	5.00	
316		R M67-0810	SCREW- TEK #8 X 1 7/8 HI-LO TYPE 8	EA	9.00	
			001 USE 2 UPPER DASH TO DASH FRAME			
317		R M67-0808	SCREW- TEK #8 X 1 1/4 HI-LO TYPE 8	EA	6.00	
			001 USE 2 UPPER DASH TO DASH FRAME			
320		R N79-0205	CAP- SNAP W/SCREW 3/8-100	EA	10.00	
325		R N79-0206	CAP-SNAP W/SCREW 3/8-100 SECOND CLR	EA	10.00	
336		R M31-1003	WASHER- #8 SAE FLAT PLTD	EA	4.00	

DIVISION 70 MOTOR HOMES  
PRODUCT 770 DISCOVERY

B I L L O F M A T E R I A L P A G E  
MODEL YEAR DIV71-02  
AS OF 09/06/2001

PAGE 12  
REPORT FLO061-30  
DATE 09/06/2001 07:28 PM

BILL B 770-02-01300 DASH ASSEMBLY - FRONT ENTRY

DRAWING REFERENCE

BILL B 770-02-01300

LAST DC 2-03 DATE 09/06/2001 LAST REVISION

ITEM	CHG	COMPONENT PART	DESCRIPTION/NOTE(S)/CUT LIST	U/H	QUANTITY	WS
338	R	M31-1003	WASHER- #8 BAE FLAT PLTD 001 USE @ INSTRUMENT FASCIA	EA	4.00	
339	R	M21-1007	NUT- #8-32 HH PLTD 001 USE @ INSTRUMENT FASCIA	EA	4.00	
360	R	M68-1413	SCREW- TEK 1/4-14 X 2 3/4 PFH 001 (12) DASH FRAMING INTO BULKHEAD	EA	14.00	
365	R	M59-0803	002 (2) DASH FRAMING INTO SIDWALL SCREW- BHTML #8 X 1/2 PPH PLTD	EA	46.00	
382	R	M68-0805	002 (12) BRACKETS TO DOG HOUSE COVER 004 (4) MONITOR BRACKET	EA	21.00	
385	R	M40-0875	SCREW- TEK #8 X 3/4 PFH PLTD 001 USE @ DOG HOUSE FRAME	EA	6.00	
388	R	M21-1007	SCREW- ALLEN #8-32 X 3/4 BLACK 001 USE @ OEM CLUSTER TO DASH	EA	6.00	
390	R	M31-1004	NUT- #8-32 HH PLTD 001 USE @ OEM CLUSTER TO DASH	EA	6.00	
998	R	X99-9992	WASHER- #10 USS FLAT PLTD 001 USE @ OEM CLUSTER TO DASH	DD	0.00	
999	*	X99-9998	NOTES: 998 01 ECL # 037 END OF BILL	EA	0.00	