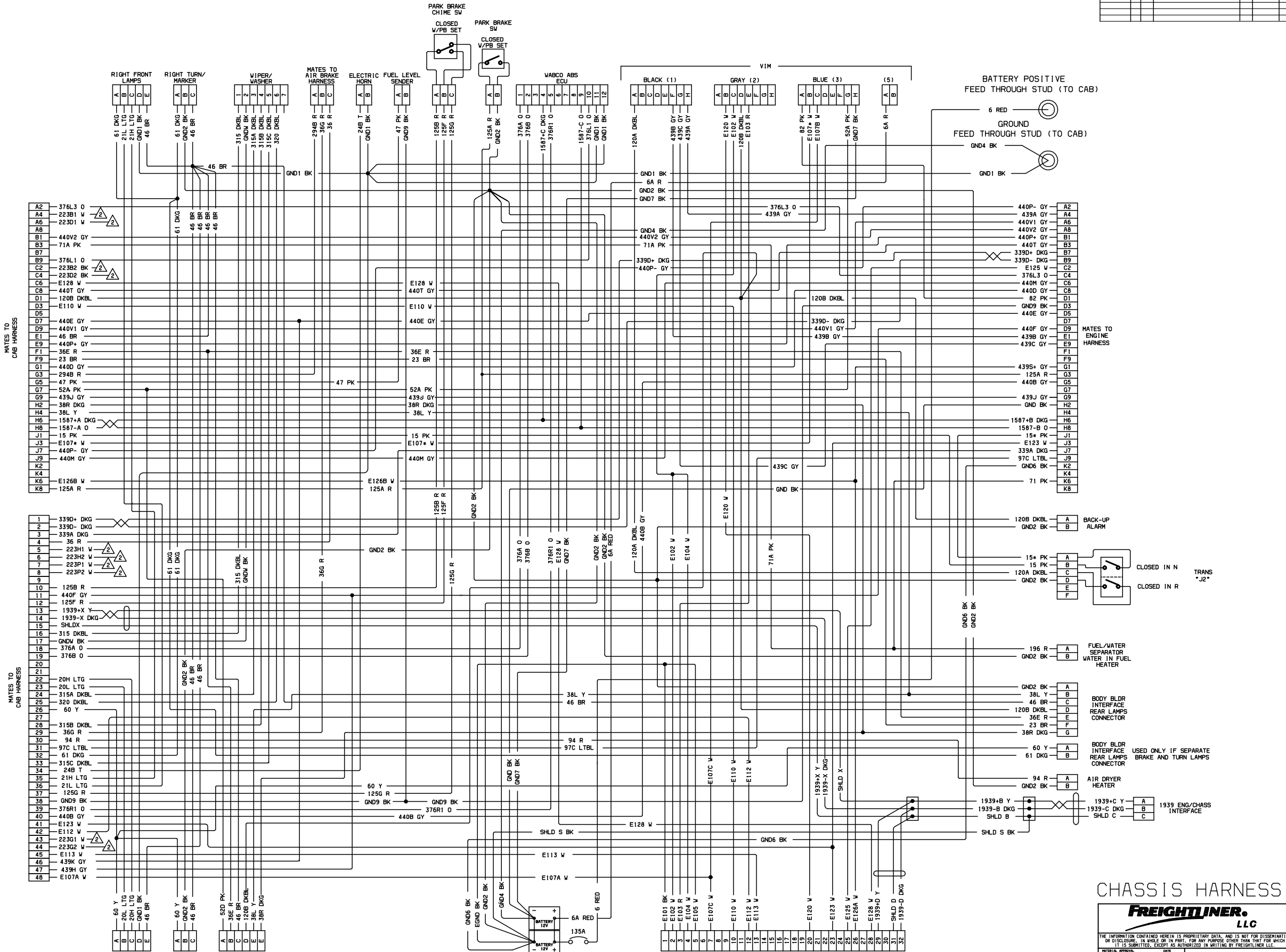


REV	DATE	DESCRIPTION
1	01/07/03	INITIAL RELEASE



CHASSIS HARNESS

FREIGHTLINER LLC

THE INFORMATION CONTAINED HEREIN IS PROPRIETARY DATA, AND IS NOT FOR DISSEMINATION OR DISCLOSURE, IN WHOLE OR IN PART, FOR ANY PURPOSE OTHER THAN THAT FOR WHICH IT IS SUBMITTED, EXCEPT AS AUTHORIZED IN WRITING BY FREIGHTLINER, LLC.

DESIGNED BY	DATE	THIRD PARTY
M. P. ITSENBERGER	01/10/03	UNLESS OTHERWISE NOTED, DIMENSIONS AND TOLERANCES ARE DEFINED ACCORDING TO ASME STANDARD Y14.5M-1994, WITH EXCEPTIONS PER FREIGHTLINER ESDM 008-417.
DESIGNED BY	DATE	THIRD PARTY
T. ALCDORN	01/07/03	
DESIGNED BY	DATE	THIRD PARTY
E. REYNOLDS	01/10/03	
DESIGNED BY	DATE	THIRD PARTY
T. ALCDORN	01/07/03	
APPROVED BY	DATE	THIRD PARTY
J. GOMEZ	01/10/03	

SCHEM, ELEC, X, 2000MH, 1SB02

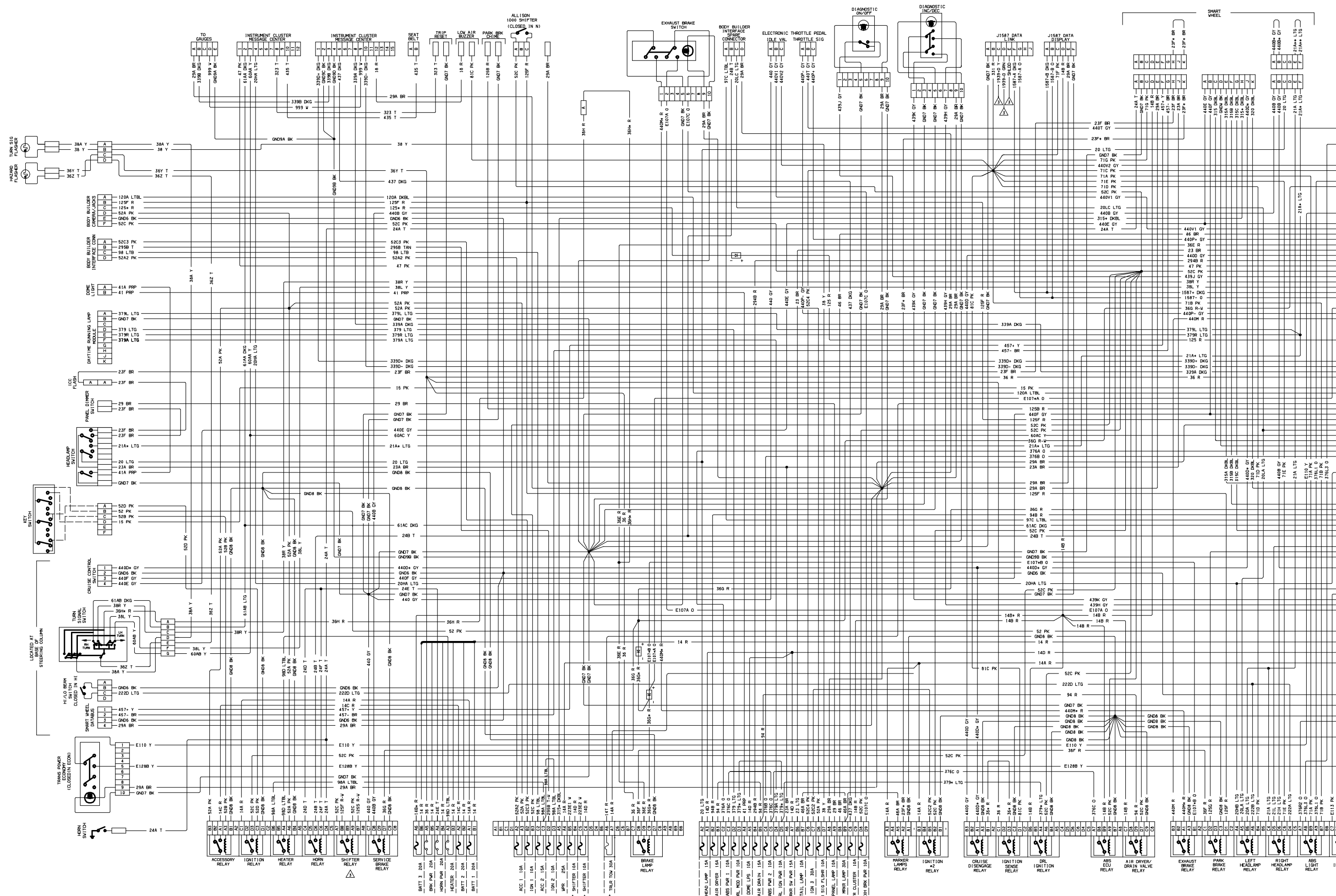
280B2

D06-46349

2 of 5

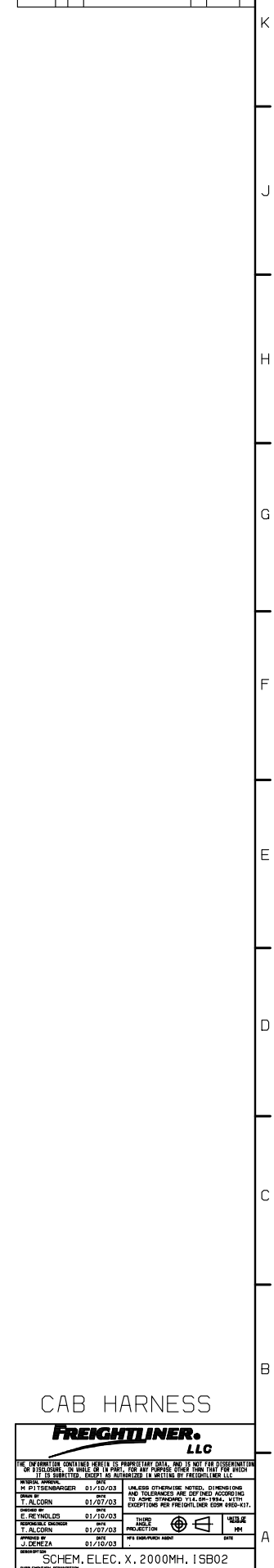
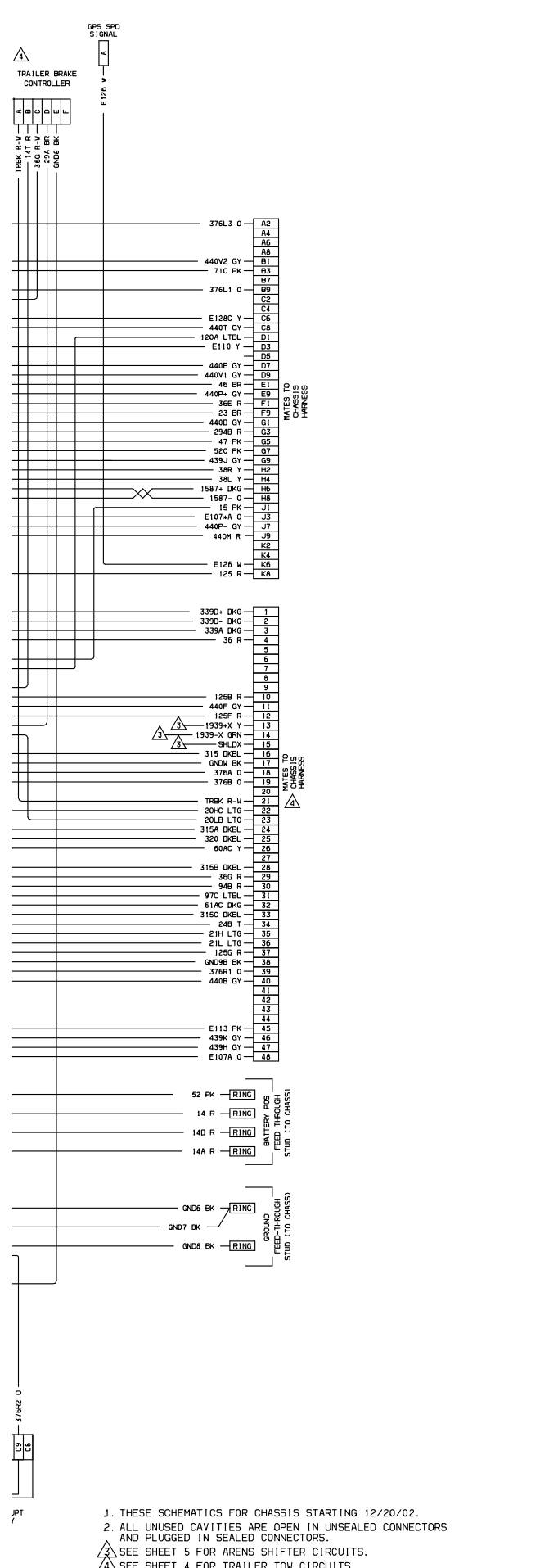
1. ALL UNUSED CAVITIES ARE PLUGGED.
 2. SEE SHEET 5 FOR ARENS SHIFTER CIRCUITS.

DRAWING NUMBER: D06-46349
 SHEET NUMBER: 2 OF 5
 DATE: 01/10/03
 FILE NAME: SCHEM, ELEC, X, 2000MH, 1SB02



D06-46349

RELEASE NUMBER	REV	DATE	REVISION DESCRIPTION	BY	DATE	APP
P21998-02	--	--	INITIAL RELEASE	TAM	01/27/03	JRD



CAB HARNESS

FREIGHTLINER LLC

THE INFORMATION CONTAINED HEREIN IS PROPRIETARY DATA, AND IS NOT FOR REPRODUCTION OR FURTHER DISTRIBUTION, IN WHOLE OR IN PART, FOR ANY PURPOSE OTHER THAN THAT FOR WHICH IT IS SUBMITTED, EXCEPT AS AUTHORIZED IN WRITING BY FREIGHTLINER LLC.

DATE	01/27/03	REVISION	INITIAL RELEASE
BY	TAM	APP	JRD
CHKD BY		CHKD BY	
DATE	01/27/03	REVISION	INITIAL RELEASE
BY	TAM	APP	JRD
CHKD BY		CHKD BY	
DATE	01/27/03	REVISION	INITIAL RELEASE
BY	TAM	APP	JRD
CHKD BY		CHKD BY	

SCHEM. ELEC. X. 2000MH. 1SB02

280B2

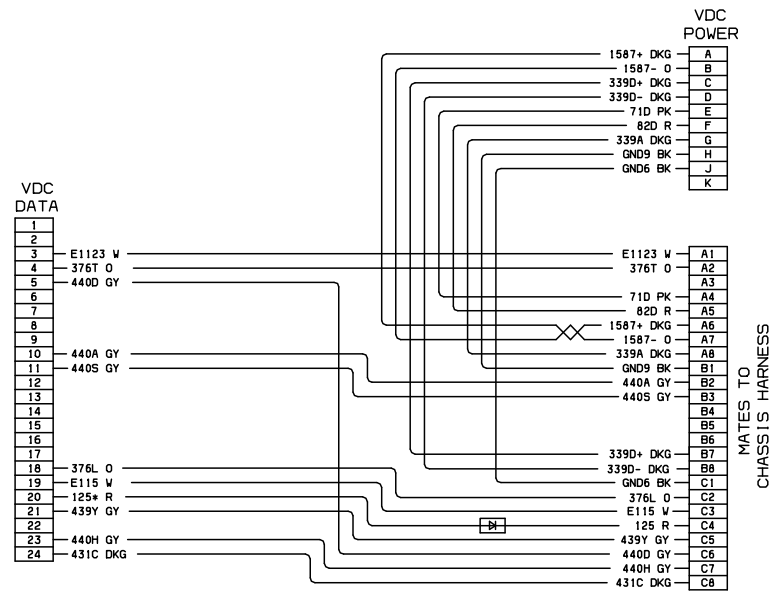
D06-46349

3 OF 5

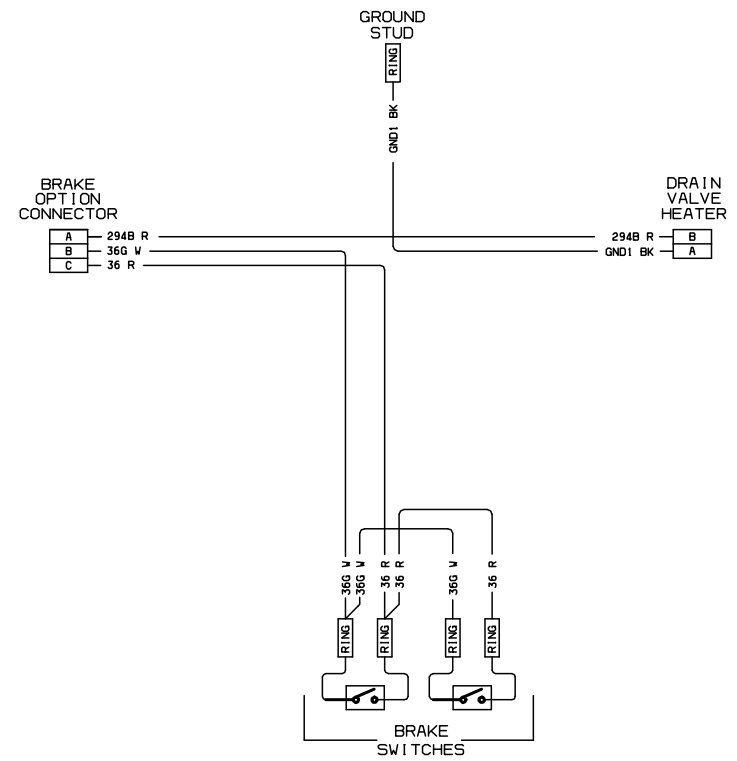
1. THESE SCHEMATICS FOR CHASSIS STARTING 12/20/02.
2. ALL UNUSED CAVITIES ARE OPEN IN UNSEALED CONNECTORS AND PLUGGED IN SEALED CONNECTORS.
3. SEE SHEET 5 FOR ARENS SHIFTER CIRCUITS.
4. SEE SHEET 4 FOR TRAILER TOW CIRCUITS.

K
 J
 I
 H
 G
 F
 E
 D
 C
 B
 A

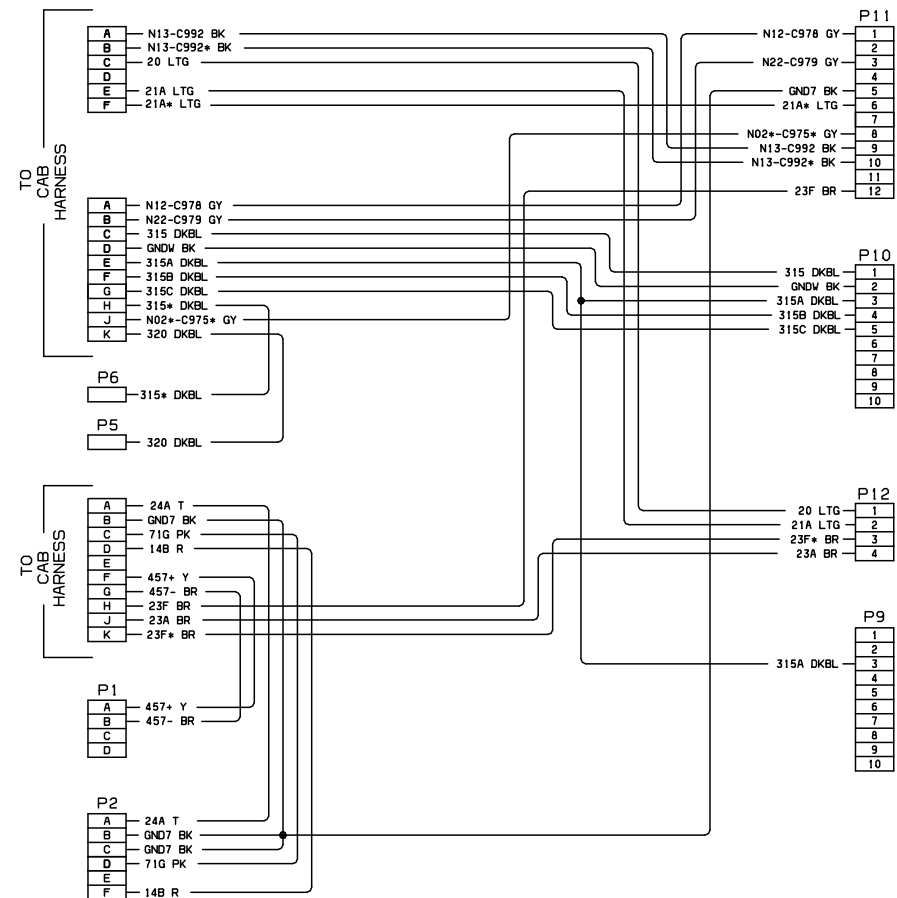
HARN-VDC, JUMPER, 1SB02



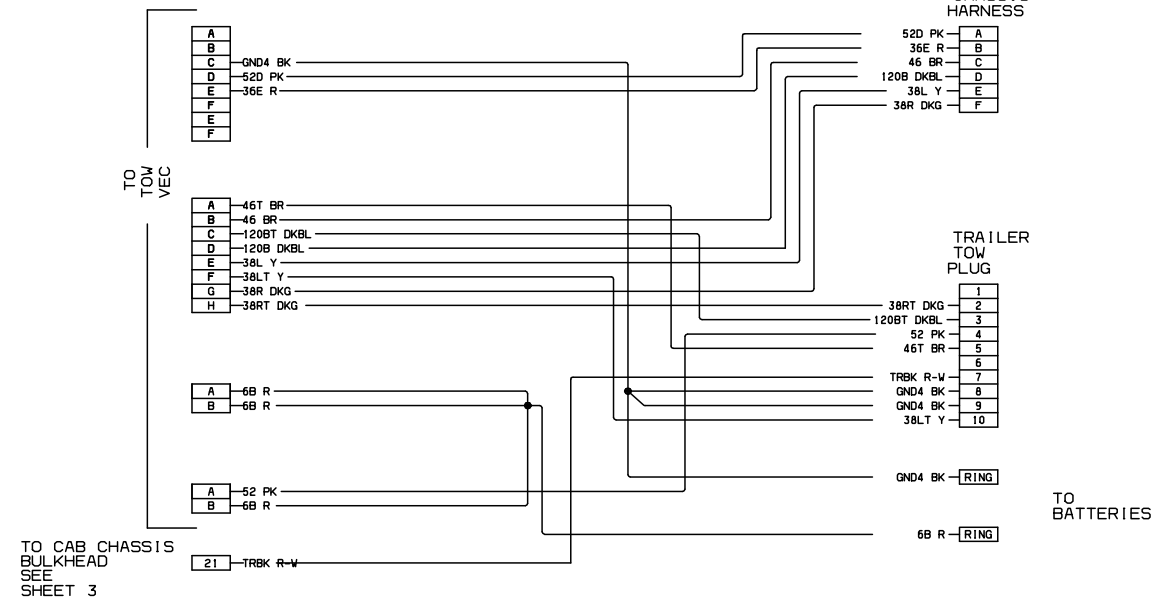
HARN-AIR BRAKES (ELECT), MPX



JUMPER HARNESS, SMART WHEEL



TRAILER TOW OVERLAY HARNESS



1. ALL UNUSED CAVITIES ARE OPEN IN UNSEALED CONNECTORS AND PLUGGED IN SEALED CONNECTORS.

FREIGHTLINER LLC

THE INFORMATION CONTAINED HEREIN IS PROPRIETARY DATA, AND IS NOT FOR DISSEMINATION OR DISCLOSURE, IN WHOLE OR IN PART, FOR ANY PURPOSE OTHER THAN THAT FOR WHICH IT IS SUBMITTED, EXCEPT AS AUTHORIZED IN WRITING BY FREIGHTLINER LLC.

REVISIONS

NO.	DATE	DESCRIPTION
1	01/10/03	INITIAL APPROVAL
2	01/10/03	DESIGN
3	01/10/03	APPROVED BY
4	01/10/03	DESIGN
5	01/10/03	APPROVED BY
6	01/10/03	DESIGN
7	01/10/03	APPROVED BY
8	01/10/03	DESIGN
9	01/10/03	APPROVED BY
10	01/10/03	DESIGN

SCHEM, ELEC, X, 2000MH, 1SB02

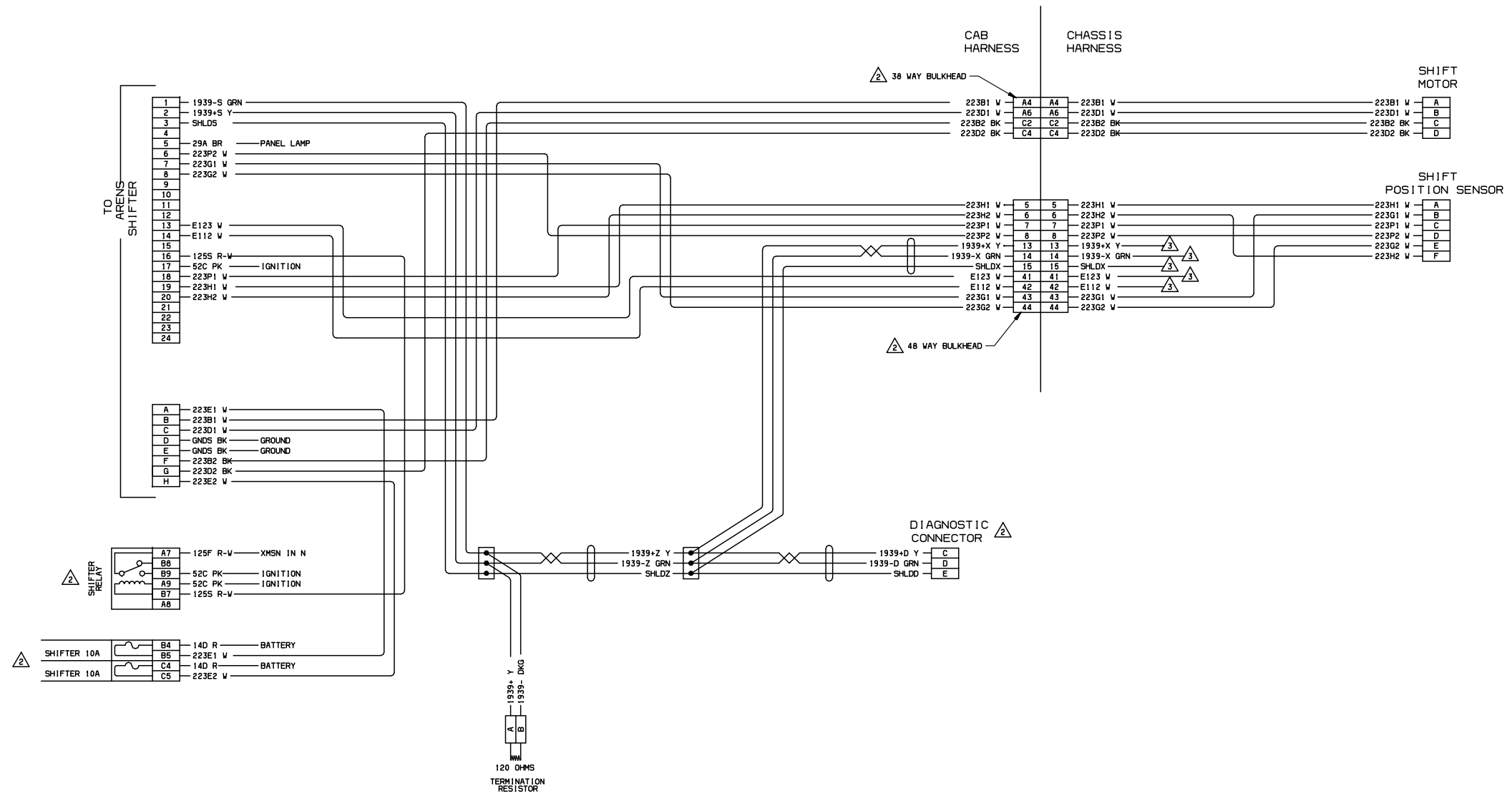
280B2

D06-46349

4 of 5

RELEASE NUMBER	DATE	REVISION DESCRIPTION	BY	DATE	APPV
P21058-02	-	INITIAL RELEASE	TAR	01/07/03	JPD

ARENS SHIFTER



1. ALL UNUSED CAVITIES ARE OPEN IN UNSEALED CONNECTORS AND PLUGGED IN SEALED CONNECTORS.
 NOT ALL CAVITIES ARE SHOWN FOR THIS CONNECTOR.
 SEE SHEET 2.

FREIGHTLINER LLC

THE INFORMATION CONTAINED HEREIN IS PROPRIETARY DATA, AND IS NOT FOR DISSEMINATION OR DISCLOSURE, IN WHOLE OR IN PART, FOR ANY PURPOSE OTHER THAN THAT FOR WHICH IT IS SUBMITTED, EXCEPT AS AUTHORIZED IN WRITING BY FREIGHTLINER, LLC.

DESIGNED BY M. PITSSENBARGER	DATE 01/10/03	UNLESS OTHERWISE NOTED, DIMENSIONS AND TOLERANCES ARE DEFINED ACCORDING TO ASME STANDARD Y14.5M-1994, WITH EXCEPTIONS PER FREIGHTLINER ED3M-0047-K17.
DESIGNED BY E. REYNOLDS	DATE 01/07/03	
RESPONSE ENGINEER T. ALCORD	DATE 01/07/03	THIS IS AN UNPLUGGED PRODUCTION
APPROVED BY J. GOMEZ	DATE 01/10/03	WFO ENGINEER/AGENT

DESCRIPTION: SCHEM, ELEC, X, 2000MM, 1SB02
 SUPPLEMENTARY DESCRIPTION: 280B2

ITEM/DRAWING NUMBER: D06-46349
 REVISION LETTER: -
 SHEET NUMBER: 5 OF 5

DRAWING NUMBER: D06-46349
 SHEET NUMBER: 5 OF 5
 DATE: 01/10/03
 FILE: SCHEM, ELEC, X, 2000MM, 1SB02